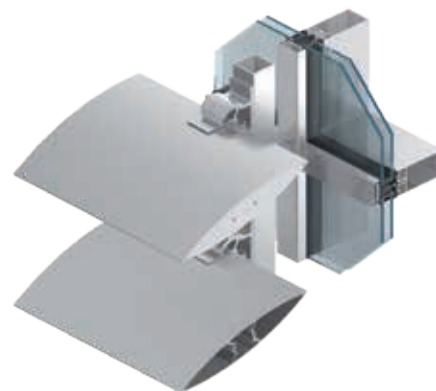




LET'S BUILD A BETTER FUTURE

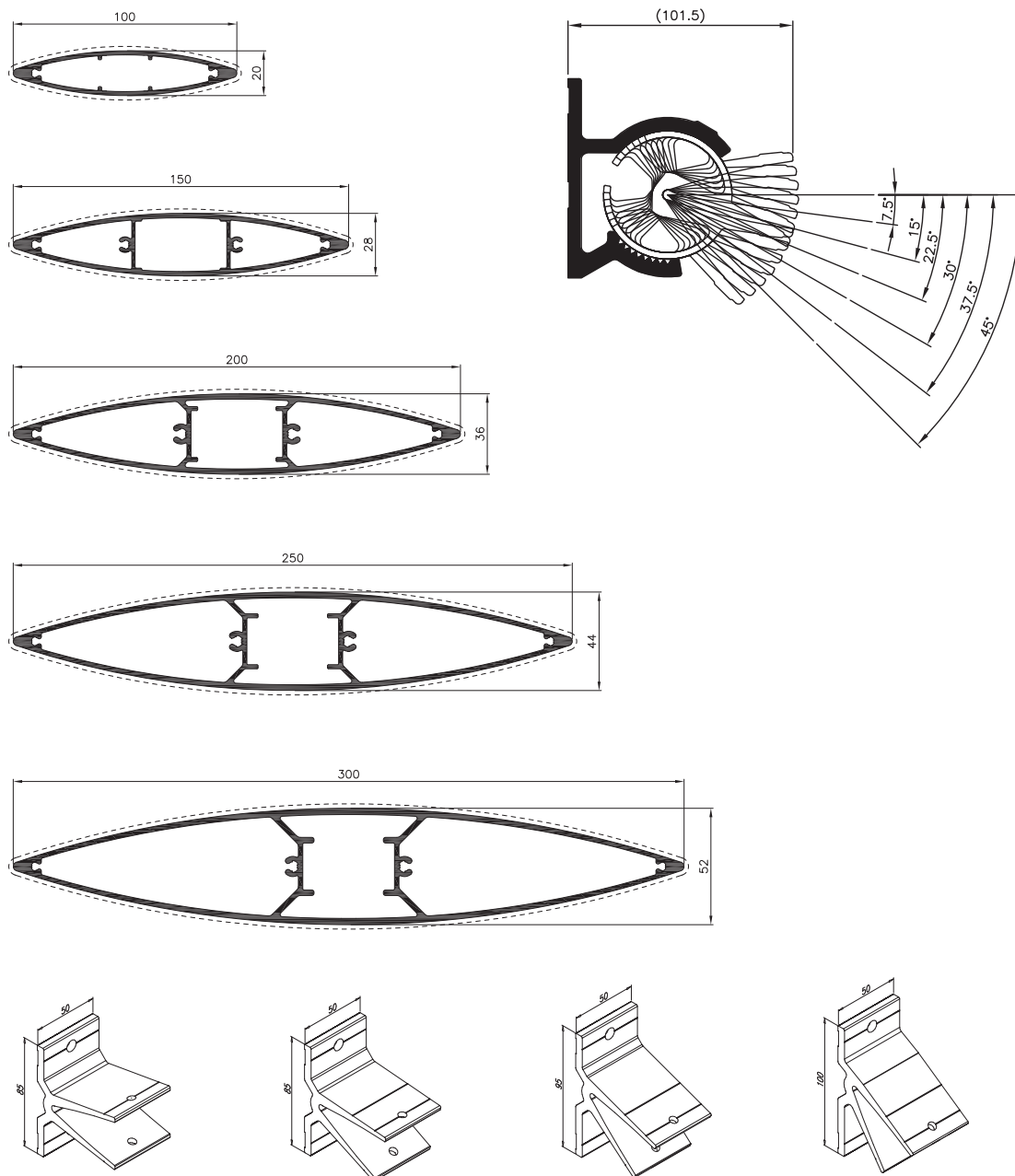
Brise soleil system **MB-SUNPROF**

Saving energy by reducing exposure to direct solar radiation while allowing for natural day lighting is one of a major focus of today's environmentally aware engineers, architects and specifiers. MB-SUNPROF brise soleils have been designed to meet these requirements. The system comprises aluminum blades, which are available in variety of sizes and integrate the Aluprof's curtain wall systems range, providing an impressive visual effect that helps unite the building envelope.



a perfect light and shadow balance

CROSS-SECTIONS



FEATURES AND AESTHETICS

- brings together solar glare control with the appropriate amount of natural light coming into the building's internal environment
- range of outriggers (brackets) to choose from
- selection of aluminum blade profiles of width from 100 to 300 mm to serve variety of projects' requirements
- up to 45 degrees incident angle
- quick and easy to install to the curtain wall, load bearing wall or window frame